

CABLE 361 RF: RF CABLE ASSEMBLY, HIROSE W.FL PLUG + RP SMA 2 HOLES PANEL BULKHEAD JACK + 0.81MM CABLE - 3GHz

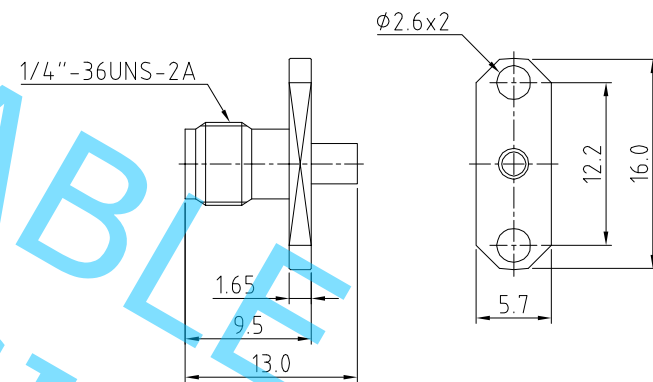
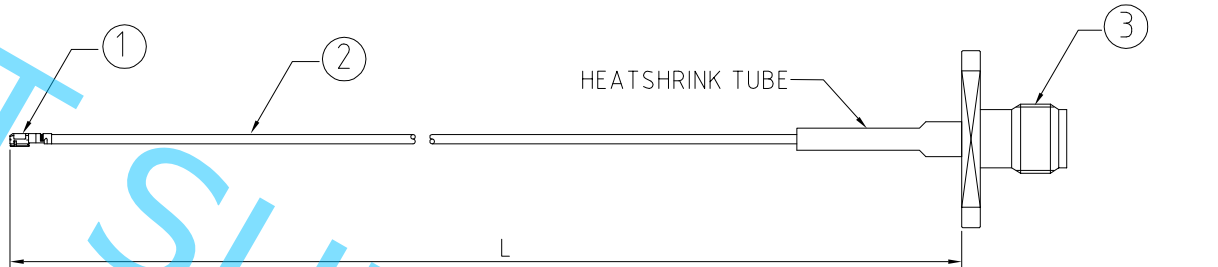
SPECIFICATIONS:

1. HIROSE W.FL PLUG (W.FL-LP-040).
2. ϕ 0.81MM COAXIAL CABLE, GRAY.
3. RP SMA 2 HOLES PANEL STRAIGHT BULKHEAD JACK, GOLD. P/N: RFCT-SMA065-F08.

NOTES:

1. THE ORIENTATION OF CONNECTORS ON DRAWING IS FOR REFERENCE ONLY, IF THE ORDER IS LEFT BLANK THE CONNECTOR WILL NOT HAVE FIXED ORIENTATION.
2. FIXED ORIENTATION IS SUGGESTED FOR CABLE LENGTH 25MM 100MM. PLEASE SPECIFY THE FIXED ORIENTATIONS FROM THE ORDER CODE (F1, F2, ETC).
3. CONTACT GRAD CONN IF THE ORIENTATION YOU REQUIRE IS NOT SHOWN.
4. WORKING FREQUENCY RANGE: DC-3GHz
5. OPERATING TEMPERATURE: -40°C TO +90°C.
6. IMPEDANCE: 50 OHM.

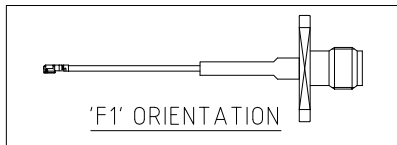
USAGE PRECAUTIONS: CABLES USING 'MICRO' COAX ARE DELICATE:
 (i) HANDLE WITH CARE.
 (ii) DO NOT TWIST; APPLY EXCESSIVE FORCES OR SHARP BENDS TO THE CABLE. DO NOT FORCEFULLY DEFORM WIRES.
 (iii) CONSULT CONNECTOR MANUFACTURER'S DATASHEETS FOR DETAILED NOTES ON HANDLING INSTRUCTIONS.



HOW TO ORDER
 CABLE 361 RF - X X X - X X

"L" LENGTH IN MM
 eg: 100MM = 0100
 (MIN. 025-MAX.400)
 STANDARD = 100, 150, 200
 Tolerance: <50mm : ± 2 mm.
 51-200mm: ± 5 mm.
 201-400mm: ± 7 mm.

BLANK = DOES NOT HAVE A FIXED ORIENTATION
 F1 = HIROSE CONNECTION DOWN (L=25-220MM)
 (SEE NOTES 1, 2, 3 AND DIAGRAMS FOR MORE INFORMATION)



REV. DATE & DRN
 10 25/10/19 - NYW RELEASE

Scale: NTS	THIRD ANGLE	Unstated X .XX .XXX ANGLES	Tolerances: N/A N/A N/A N/A	Material SEE NOTE
Drawn: NYW				
App'd: XXX	Title: CABLE ASSEMBLY	NOT TO SCALE		
Date: 25 OCT. '19	Revision: 1.0	Unit: mm		



THIS DRAWING IS CONFIDENTIAL AND MUST NOT BE COPIED OR DISCLOSED WITHOUT WRITTEN CONSENT

Type: Cable 361 RF
CABLE 361 RF
Drawing Number:
Sheet 1 of 1
Drawing © E and O E